



# **RF-BM-BG22A1(I) EFR32BG22C112**

## **Bluetooth 5.2 Low Energy Module**

**Version 1.3**

Shenzhen RF-star Technology Co., Ltd.

May 26<sup>th</sup>, 2023

*All rights reserved. Those responsible for unauthorized reproduction will be prosecuted.*

## 1 Device Overview

### 1.1 Module Series

There is a series of RF-BM-BG22Ax Bluetooth 5.2 Low Energy modules. All of them are based on Silicon Labs EFR32BG22 SoC series. Because the EFR32BG22 series ICs are compatible in package, pins, and peripherals, those modules are pin-to-pin compatible with each other as well.

Table 1. Module Series of RF-BM-BG22Ax

Model	Antenna Output Mode	Chip Model	Max. CPU Speed	TX Power	FLASH	RAM	Protocol
<b>BG22A1</b>	PCB onboard/Half-hole RF pin	EFR32BG22C1	38.4 MHz	0 dBm	352 KB	32 KB	BT5.2
<b>BG22A1I</b>	IPEX connector/Half-hole RF pin	12F352GM32-C					
<b>BG22A3</b>	PCB onboard/Half-hole RF pin	EFR32BG22C2	76.8 MHz	+6 dBm	512 KB	32 KB	BT5.2 Direction finding Proprietary
<b>BG22A3I</b>	IPEX connector/Half-hole RF pin	24F512GM32-C					

Note: RF-BM-BG22A1 and RF-BM-BG22A1I do not support AoA/AoD and LE Long Range (125 Kbps and 500 Kbps) PHYs.

### 1.2 Description

RF-BM-BG22A1(I) is an RF module based on EFR32BG22C12F352GM32-C, one of the Gecko family of SoCs from Silicon Labs, with a 32-bit ARM® Cortex®-M33 core with 38.4 MHz maximum operating frequency. It integrates a 38.4 MHz crystal, a matching, an antenna matching, a low-pass filter, and the antenna option (the one is a meander line inverted-F PCB antenna and a half-hole ANT pin, and the other is the IPEX connector and a half-hole ANT pin). As for the hardware, it supports Bluetooth 5.2 Low Energy and also has a range of analog and digital interfaces such as PRS, ADC, UART, SPI, I<sup>2</sup>C, PWM, ISO 7816, IrDA, I<sup>2</sup>S, EUART and PDM. It features low power consumption, compact size, robust connection distance, and rigid reliability. 1.27-mm pitch stamp stick package for easy assembling and cost-effective PCB design. As for the firmware, it can be preprogrammed with an RF-star BLE5.0 serial communication protocol for simple programming.

### 1.3 Key Features

- RF Features
  - Bluetooth 5.2 Low Energy
- Modulation
  - 2 (G)FSK with fully configurable shaping
- TX power: -28 dBm ~ 0 dBm
- Sensitivity
  - -98.9 dBm @ 1 Mbit/s GFSK
  - -96.2 dBm @ 2 Mbit/s GFSK

- 32-bit 38.4 MHz ARM® Cortex®-M33 with DSP instruction and floating-point unit for efficient signal processing
- Memory
  - Flash: 352 KB
  - RAM: 32 KB
- Wide Operation Range
  - Single power supply
    - ♦ DC-DC mode: 2.2 V to 3.8 V
    - ♦ Bypass mode: 1.8 V to 3.8 V
  - Operating temperature: -40 °C to +85 °C
  - Storage temperature: -40 °C to +125 °C
- Wide Peripherals
  - 12-bit 1 Msps SAR ADC
  - Up to 18 GPIOs with output state retention and asynchronous interrupts
  - 8 Channel DMA Controller
  - 12 Channel Peripheral Reflex System (PRS)
  - 4 × 16-bit Timer/Counter with 3 Compare/Capture/PWM channels
  - 1 × 32-bit Timer/Counter with 3 Compare/Capture/PWM channels
  - 32-bit RTC
  - 24-bit Low Energy Timer for waveform generation
  - 1×Watchdog Timer
  - 2 × Universal Synchronous/Asynchronous Receiver/Transmitter
    - ♦ UART
    - ♦ SPI
    - ♦ SmartCard (ISO 7816)
  - ♦ IrDA
  - ♦ I<sup>2</sup>S
  - 1 × Enhanced Universal Asynchronous Receiver / Transmitter (EUSART)
  - 2×I<sup>2</sup>C interface with SMBus support
  - Digital microphone interface (PDM)
  - Precision Low-Frequency RC Oscillator enabling single-crystal operation
  - RFSense with selective OOK mode
  - Die temperature sensor with +/-2 degree C accuracy across temperature range
- Security Features
  - Secure Boot with Root of Trust and Secure Loader (RTSL)
  - Hardware Cryptographic Acceleration for AES128/256, SHA-1, SHA-2 (up to 256-bit), ECC (up to 256-bit), ECDSA, and ECDH
  - True Random Number Generator (TRNG) compliant with NIST SP800-90 and AIS-31
  - ARM® TrustZone®
  - Secure Debug with lock / unlock
- Transmission range:
  - RF-BM-BG22A1: 70 m (@ PCB antenna)
  - RF-BM-BG22A1I: 120 m (@ external PCB antenna)
- Dimension: 16.5 mm x 11.6 mm x 2.06 mm
- RF-BM-BG22A1 Certificates:
  - FCC
  - CE
  - SRRC
  - RoHS

## 1.4 Applications

- Asset tags and beacons
- Consumer electronics remote controls
- Portable medical
- Sports, fitness and wellness devices
- Connected home
- Building automation and security

### 1.5 Functional Block Diagram

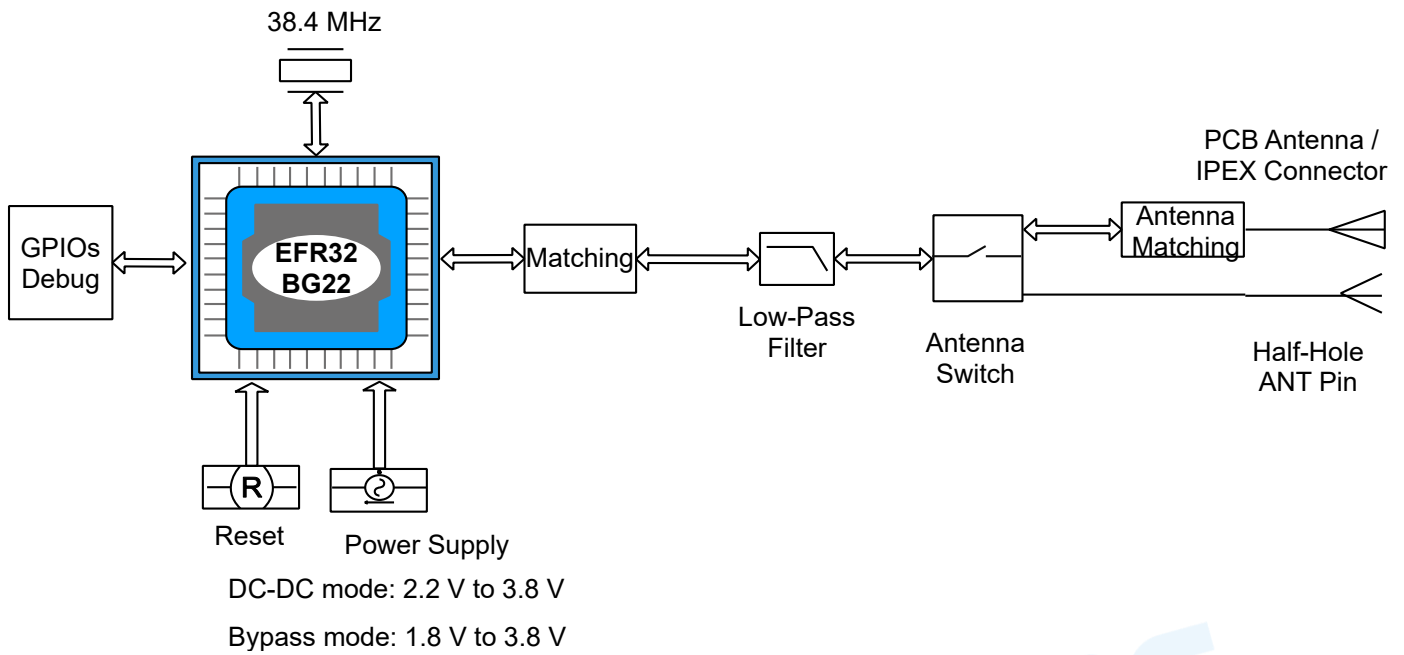


Figure 1. Functional Block Diagram of RF-BM-BG22A1(I)

### 1.6 Part Number Conventions

The part numbers are of the form of RF-BM-BG22A1(I) where the fields are defined as follows:

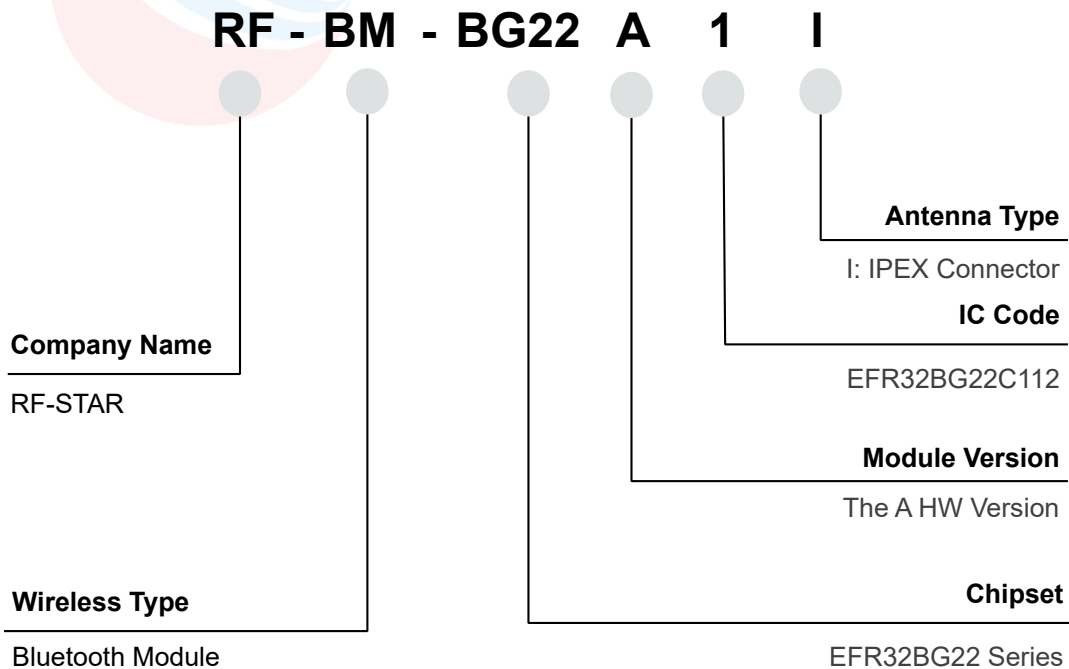


Figure 2. Part Number Conventions of RF-BM-BG22A1(I)

## Table of Contents

1 Device Overview .....	1
1.1 Module Series .....	1
1.2 Description.....	1
1.3 Key Features .....	1
1.4 Applications.....	2
1.5 Functional Block Diagram .....	3
1.6 Part Number Conventions .....	3
Table of Contents.....	4
2 Module Configuration and Functions .....	6
2.1 Module Parameters.....	6
2.2 Module Pin Diagram .....	7
2.3 Pin Functions.....	7
3 Specifications .....	9
3.1 Recommended Operating Conditions .....	9
3.2 Handling Ratings.....	9
3.3 Current Consumption .....	9
4 Setting of Frequency Offset Register.....	11
5 Application, Implementation, and Layout.....	13
5.1 Module Photos .....	13
5.2 Recommended PCB Footprint.....	13
5.3 Schematic Diagram.....	14
5.4 Reference Design .....	15
5.5 Antenna.....	15
5.5.1 Antenna Design Recommendation .....	15
5.5.2 Antenna Output Mode Modification.....	16
5.5.3 External Antenna Design Recommendation of the Half-Hole ANT Pin.....	17
5.5.4 IPEX Connector Specification.....	18
5.6 Basic Operation of Hardware Design .....	18
5.7 Trouble Shooting.....	19
5.7.1 Unsatisfactory Transmission Distance.....	19
5.7.2 Vulnerable Module.....	20
5.7.3 High Bit Error Rate .....	20

---

5.8 Electrostatics Discharge Warnings .....	20
5.9 Soldering and Reflow Condition.....	20
6 Optional Package Specification .....	22
7 Certification .....	24
7.1 FCC .....	24
7.2 CE .....	24
7.3 SRRC .....	25
7.4 RoHS .....	25
8 Revision History .....	26
8 Contact Us.....	27



## 2 Module Configuration and Functions

### 2.1 Module Parameters

Table 2. Parameters of RF-BM-BG22A1(I)

Chipset	EFR32BG22C112F352GM32-C
Supply Power Voltage	DC-DC mode: 2.2 V ~ 3.8 V, recommended to 3.3 V Bypass mode: 1.8 V ~ 3.8 V, recommended to 3.3 V
Frequency	2402 MHz ~ 2480 MHz
Transmit Power	-28.0 dBm ~ 0 dBm (typical: 0 dBm)
Receiving Sensitivity	-98.9 dBm sensitivity @ 1 Mbit/s GFSK -96.2 dBm sensitivity @ 2 Mbit/s GFSK
GPIO	18
Crystal	38.4 MHz
RAM	32 KB
Flash	352 KB
Package	SMT Packaging (1.27-mm half-hole pitch stamp stick)
Frequency Error	±24 kHz
Dimension	16.5 mm x 11.6 mm x 2.06 mm
Type of Antenna	RF-BM-BG22A1: PCB antenna, half-hole ANT pin RF-BM-BG22A1I: IPEX connector, half-hole ANT pin
Transmission Range in Open Air	RF-BM-BG22A1: 70 m (@ PCB antenna) RF-BM-BG22A1I: 120 m (@ external PCB antenna)
Operating Temperature	-40 °C ~ +85 °C
Storage Temperature	-40 °C ~ +125 °C

## 2.2 Module Pin Diagram

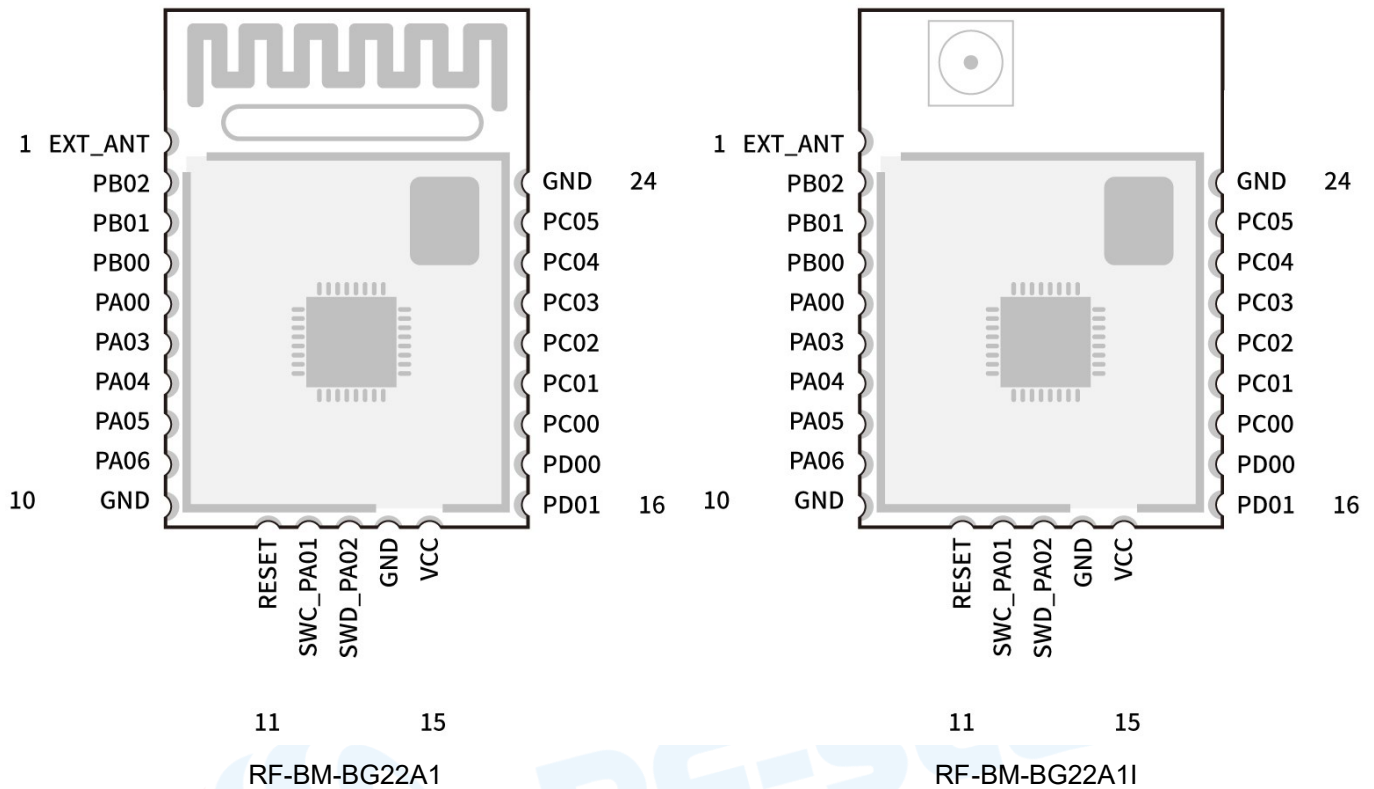


Figure 3. Pin Diagram of RF-BM-BG22A1(I)

## 2.3 Pin Functions

Table 3. Pin Functions of RF-BM-BG22A1(I)

Pin	Name	Chip Pin	Pin Type	Description
1	EXT_ANT	-	-	External antenna pin.
2	PB02	PB02	I/O	GPIO
3	PB01	PB01	I/O	GPIO
4	PB00	PB00	I/O	GPIO
5	PA00	PA00	-	GPIO
6	PA03	PA03	I/O	GPIO
7	PA04	PA04	I/O	GPIO
8	PA05	PA05	I/O	GPIO
9	PA06	PA06	I/O	GPIO
10	GND	GND	-	Ground



11	RESET	RESET	-	Reset, active low, internal pull-up. <b>The max. power supply of this pin is 1.8 V under DC-DC mode.</b>
12	PA01	PA01	I/O	GPIO/SWCLK (connect j-link)
13	PA02	PA02	I/O	GPIO/SWDIO (connect j-link)
14	GND	GND	-	Ground
15	VCC	VCC	VCC	2.2 V ~ 3.8 V, recommended to 3.3 V
16	PD01	PD01	I/O	GPIO
17	PD00	PD00	I/O	GPIO
18	PC00	PC00	I/O	GPIO
19	PC01	PC01	I/O	GPIO
20	PC02	PC02	I/O	GPIO
21	PC03	PC03	I/O	GPIO
22	PC04	PC04	I/O	GPIO
23	PC05	PC05	I/O	GPIO
24	GND	GND	-	Ground

### 3 Specifications

#### 3.1 Recommended Operating Conditions

The functional operation does not guarantee performance beyond the limits of the conditional parameter values in the table below. Long-term work beyond this limit will affect the reliability of the module more or less.

Table 4. Recommended Operating Conditions of RF-BM-BG22A1(I)

Items	Condition	Min.	Typ.	Max.	Unit
Operating Supply Voltage	DC-DC mode	2.2	3.3	3.8	V
	Bypass mode	1.8	3.3	3.8	V
Frequency Range		2402		2480	MHz
Operating Temperature	/	-40	+25	+85	°C
Environmental Hot Pendulum	/	-20		+20	°C/min

#### 3.2 Handling Ratings

All measurements are based on the Silicon Labs reference design and datasheet.

Table 5. Handling Ratings of RF-BM-BG22A1(I)

Items	Condition	Min.	Typ.	Max.	Unit
Storage Temperature	Tstg	-40	+25	+125	°C
Human Body Model	HBM		±2000		V
Moisture Sensitivity Level			3		
Charged Device Model			±500		V

#### 3.3 Current Consumption

Table 6. Current Consumption of RF-BM-BG22A1(I)

Hardware Version: 1.0a			
Test Date	May 14 <sup>th</sup> , 2020		
Test Condition	FLUKE15B+ multimeter, load connects to DSA1030 spectrum analyzer, offset: 0.2, RBW = 100 KHz		
Stand-by	1 μA		
Transmitting Current	Set Tx Power	Actual Tx Power	Actual Current
	0 dBm	-0.5 dBm	4.0 mA
Receiving Current	2.5 mA		

Note: The test method is closely related to the current. For example, the output load antenna is different from the standard 50  $\Omega$  test data.



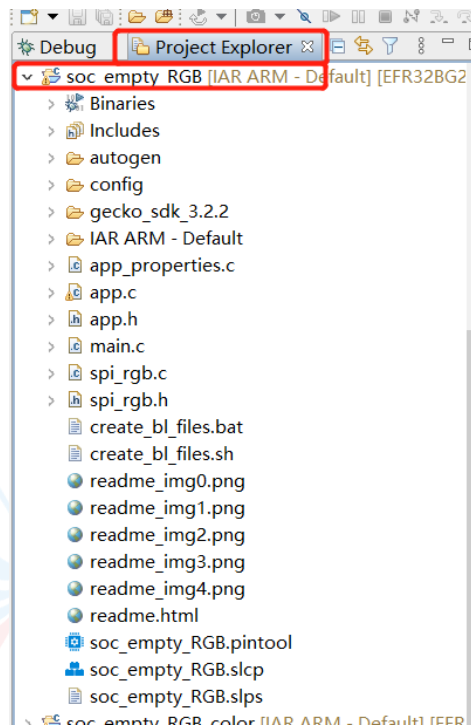
## 4 Setting of Frequency Offset Register

The setting of the frequency offset register can be regarded as the auxiliary setting of modifying the frequency offset for the hardware RF part.

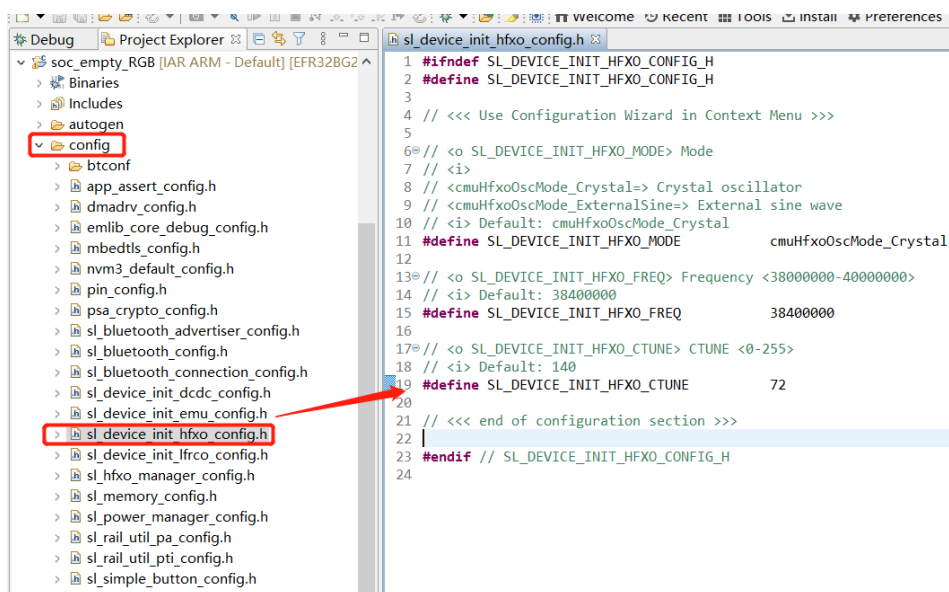
If the frequency offset is needed to be modified, you can find the `sl_device_init_hfxo_config.h` file in the corresponding project and modify the `CTUNE` value.

Take the `empty_RGB` project as an example:

Open the project, find the Project Explorer window, and open the project folder, as shown in the following figure.



Then choose the config folder, find the `sl_device_init_hfxo_config.h` file, and double-click to open it, as shown in the figure below.



Find **SL\_DEVICE\_INIT\_HFXO\_CTUNE**, the official default value of SiliconLabs is 140, RF-star changes it to 72 according to the requirements of the development board hardware RF part.

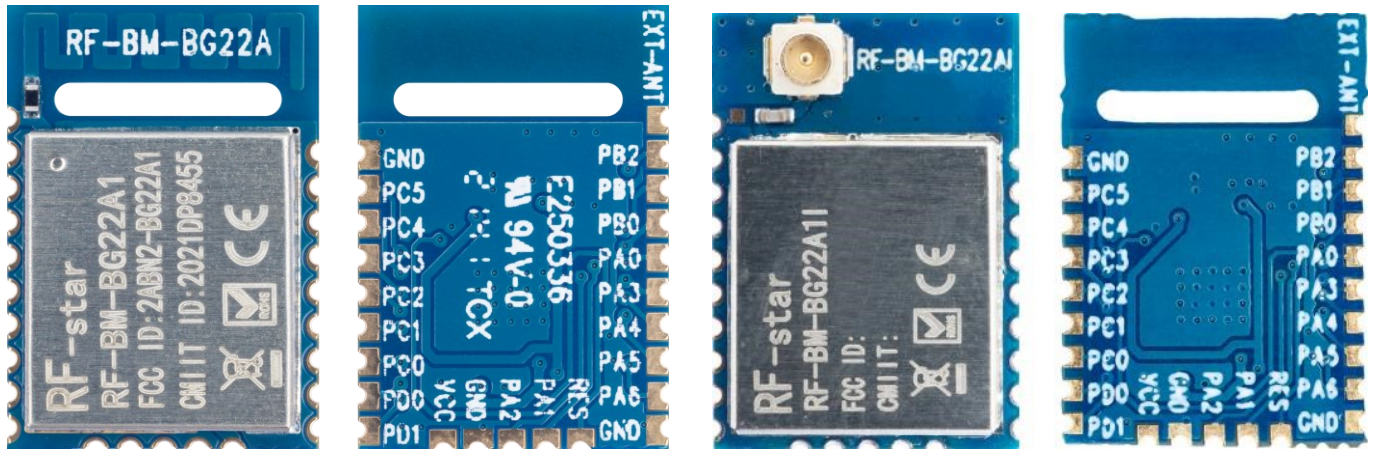
Remark: This is the value for RF-star's standard EFR32BG22 series modules, the value of the other customized products needs to be confirmed.

If the user needs to change to other values, you can directly modify it (Value range: 0 ~ 255). As shown below.

```
sl_device_init_hfxo_config.h x
1 #ifndef SL_DEVICE_INIT_HFXO_CONFIG_H
2 #define SL_DEVICE_INIT_HFXO_CONFIG_H
3
4 // <<< Use Configuration Wizard in Context Menu >>>
5
6 // <o SL_DEVICE_INIT_HFXO_MODE> Mode
7 // <i>
8 // <cmuHfxoOscMode_Crystal=> Crystal oscillator
9 // <cmuHfxoOscMode_ExternalSine=> External sine wave
10 // <i> Default: cmuHfxoOscMode_Crystal
11 #define SL_DEVICE_INIT_HFXO_MODE          cmuHfxoOscMode_Crystal
12
13 // <o SL_DEVICE_INIT_HFXO_FREQ> Frequency <38000000-40000000>
14 // <i> Default: 38400000
15 #define SL_DEVICE_INIT_HFXO_FREQ          38400000
16
17 // <o SL_DEVICE_INIT_HFXO_CTUNE> CTUNE <0-255>
18 // <i> Default: 140
19 #define SL_DEVICE_INIT_HFXO_CTUNE          72
20
21 // <<< end of configuration section >>>
22
23 #endif // SL_DEVICE_INIT_HFXO_CONFIG_H
24
```

## 5 Application, Implementation, and Layout

### 5.1 Module Photos

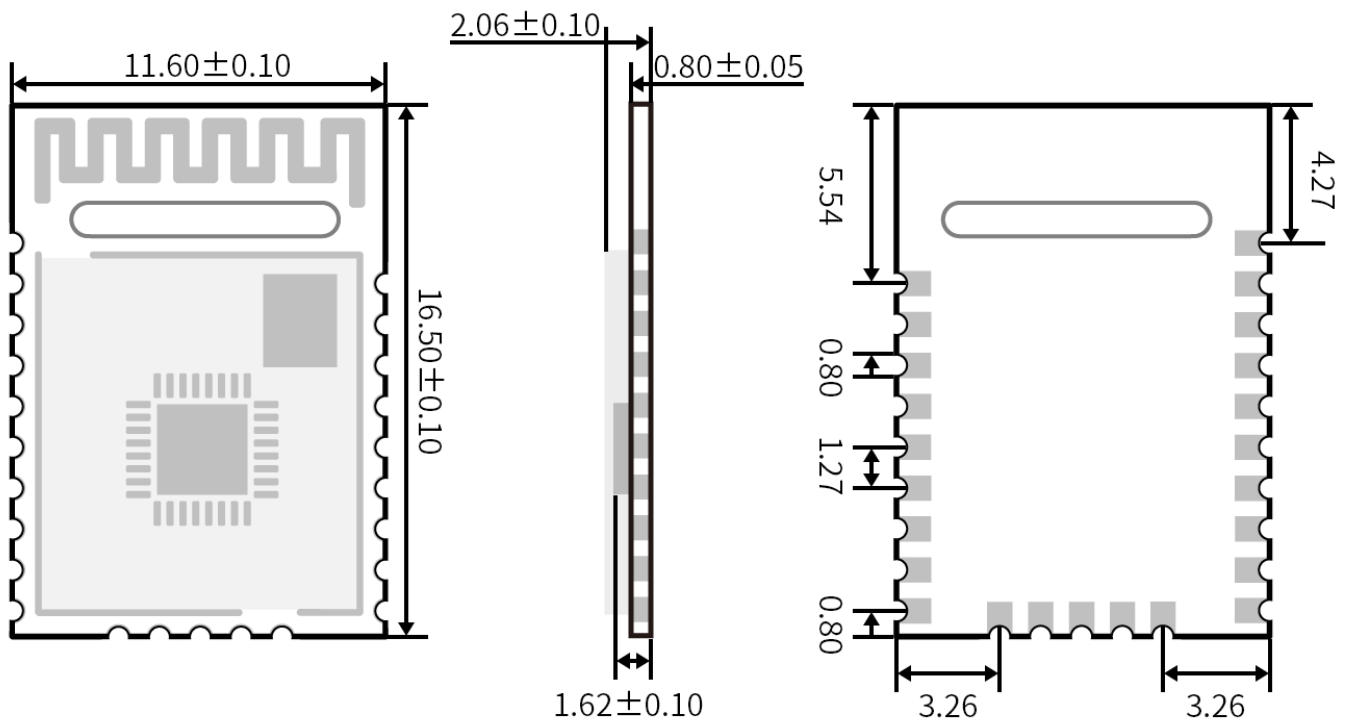


RF-BM-BG22A1

RF-BM-BG22A1I

Figure 4. Photos of RF-BM-BG22A1(I)

### 5.2 Recommended PCB Footprint



RF-BM-BG22A1

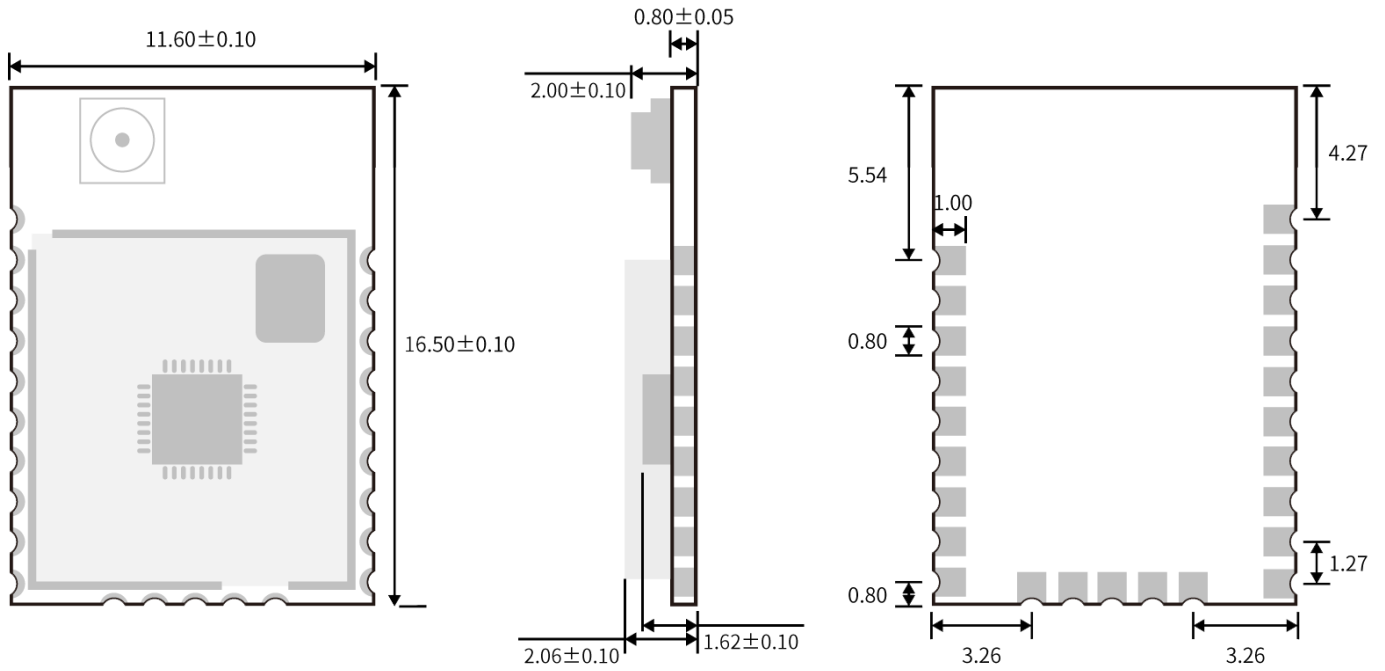

**RF-BM-BG22A1I**

Figure 5. Recommended PCB Footprint of RF-BM-BG22A1(I) (mm)

### 5.3 Schematic Diagram

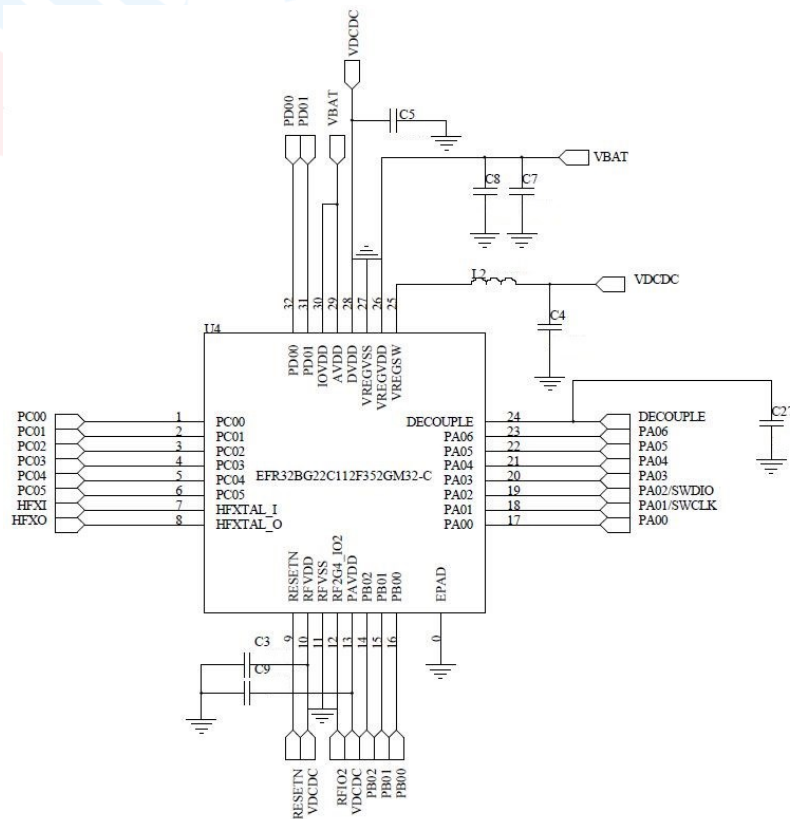


Figure 6. Schematic Diagram of RF-BM-BG22A1(I)

## 5.4 Reference Design

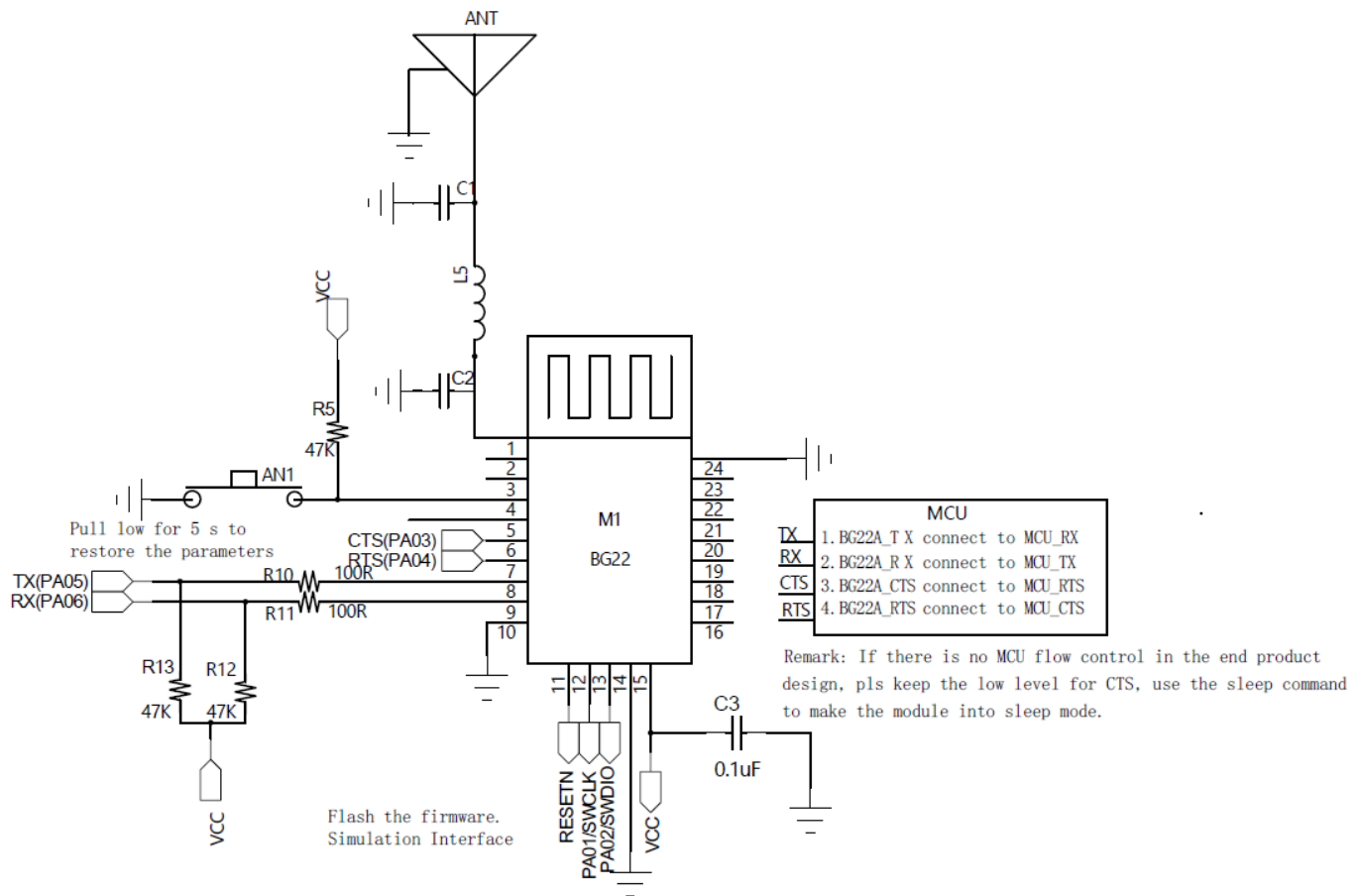


Figure 7. Reference Design of RF-BM-BG22A1(I)

## 5.5 Antenna

### 5.5.1 Antenna Design Recommendation

1. The antenna installation structure has a great influence on the module performance. It is necessary to ensure the antenna is exposed and preferably vertically upward. When the module is installed inside of the case, a high-quality antenna extension wire can be used to extend the antenna to the outside of the case.
2. The antenna must not be installed inside the metal case, which will cause the transmission distance to be greatly weakened.
3. The recommendation of antenna layout.

The inverted-F antenna position on PCB is free-space electromagnetic radiation. The location and layout of the antenna are key factors to increase the data rate and transmission range.

Therefore, the layout of the module antenna location and routing is recommended as follows:

- (1) Place the antenna on the edge (corner) of the PCB.
- (2) Make sure that there is no signal line or copper foil in each layer below the antenna.



(3) It is best to hollow out the antenna position in the following figure to ensure that the S11 of the module is minimally affected.

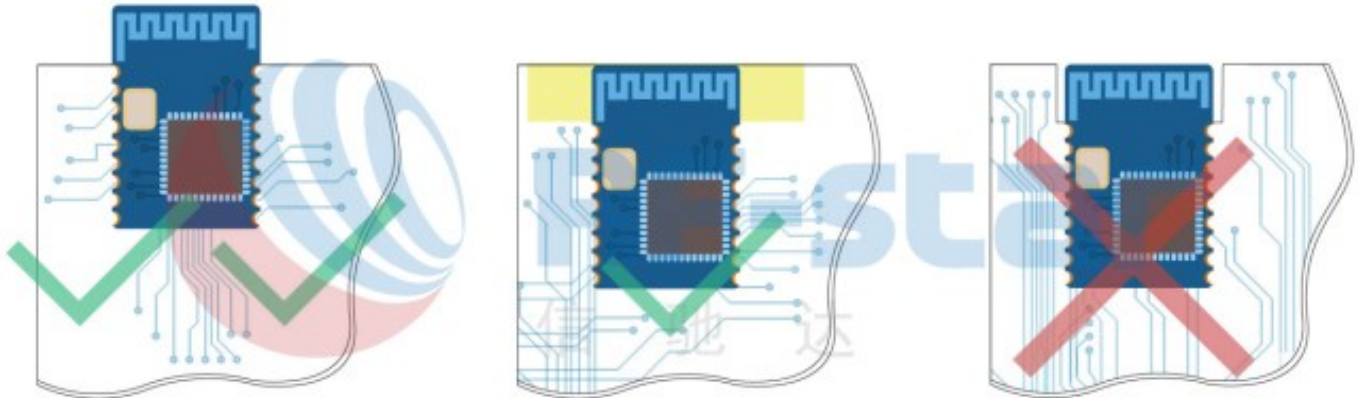


Figure 8. Recommendation of Antenna Layout

Note: The hollow-out position is based on the antenna used.

### 5.5.2 Antenna Output Mode Modification

1. RF-BM-BG22A1 has two antenna output modes. The one is an onboard PCB antenna and the other is a stamp half-hole output (ANT pin, see pin function table for details).

The default delivery is the **onboard PCB antenna**, and R1 (0  $\Omega$ ) is well welded. If you want to use the external antenna by the ANT pin, pls disconnect the R1. The location of R1 is shown in the figure below.



Figure 9. Antenna Output Mode Change of RF-BM-BG22A1

2. RF-BM-BG22A1I has two antenna output modes. The one is an IPEX connector and the other is a stamp half-hole output (ANT pin, see pin function table for details).

The default delivery is the **IPEX connector**, and the capacitor connected to the IPEX is welded. If you want to use the external antenna by the ANT pin, the capacitor position should be removed to the left solder joint to have the access to the ANT pin. The location of the capacitor is shown in the figure below.

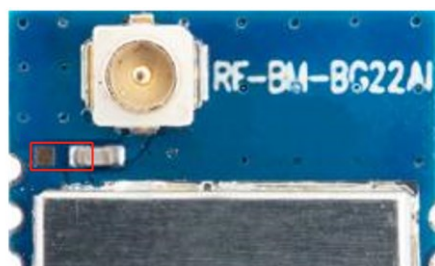


Figure 10. Antenna Output Mode Change of RF-BM-BG22A1I

### 5.5.3 External Antenna Design Recommendation of the Half-Hole ANT Pin

1. A  $\Pi$ -type matching circuit is reserved for the antenna, and  $50\ \Omega$  impedance control is performed on the RF traces. The traces are as short as possible, and  $135^\circ$  or arc traces are used as much as possible. No vias are used to change layers. More GND vias are placed around the RF traces.

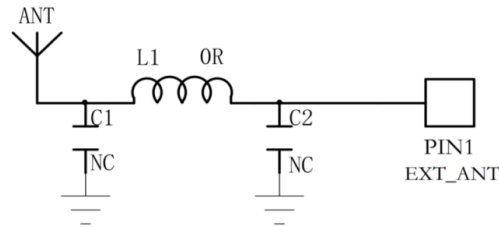


Figure 11. Reference Design of the External Antenna

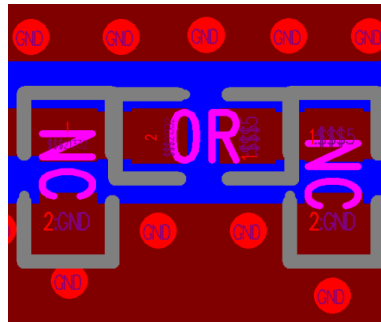


Figure 12. Reference Design of the External Antenna Traces

2. The RF trace width and copper-clad spacing can be calculated by SI9000 software, and the impedance is controlled to  $50\ \Omega$  according to the actual board thickness, number of layers, plate, dielectric thickness, dielectric constant, copper thickness, line width, line spacing, and solder mask thickness.

Example: FR4 is a double-layer board with a thickness of 1.0 mm. Through calculation, the width of the trace is 0.8254 mm, and the spacing between traces and copper is 0.22 mm.

Parameter	Value	Tolerance	Minimum	Maximum	Action
Substrate 1 Height	H1	0.8800 +/-	0.0000	0.8800	0.8800 Calculate
Substrate 1 Dielectric	Er1	4.4000 +/-	0.0000	4.4000	4.4000 Calculate
Lower Trace Width	W1	0.8254 +/-	0.0000	0.8254	0.8254 Calculate
Upper Trace Width	W2	0.8000 +/-	0.0000	0.8000	0.8000 Calculate
Ground Strip Separation	D1	0.2200 +/-	0.0000	0.2200	0.2200 Calculate
Trace Thickness	T1	0.0350 +/-	0.0000	0.0350	0.0350 Calculate
Coating Above Substrate	C1	0.0254 +/-	0.0000	0.0254	0.0254 Calculate
Coating Above Trace	C2	0.0254 +/-	0.0000	0.0254	0.0254 Calculate
Coating Dielectric	CEr	4.2000 +/-	0.0000	4.2000	4.2000 Calculate
Impedance	Zo	50.10	50.10	50.10	Calculate More...

Figure 13. SI9000 Impedance Calculation Diagram

### 5.5.4 IPEX Connector Specification

RF-BM-BG22A1I module is integrated the IPEX version 1 antenna seat, the specification of the antenna seat is as follows:

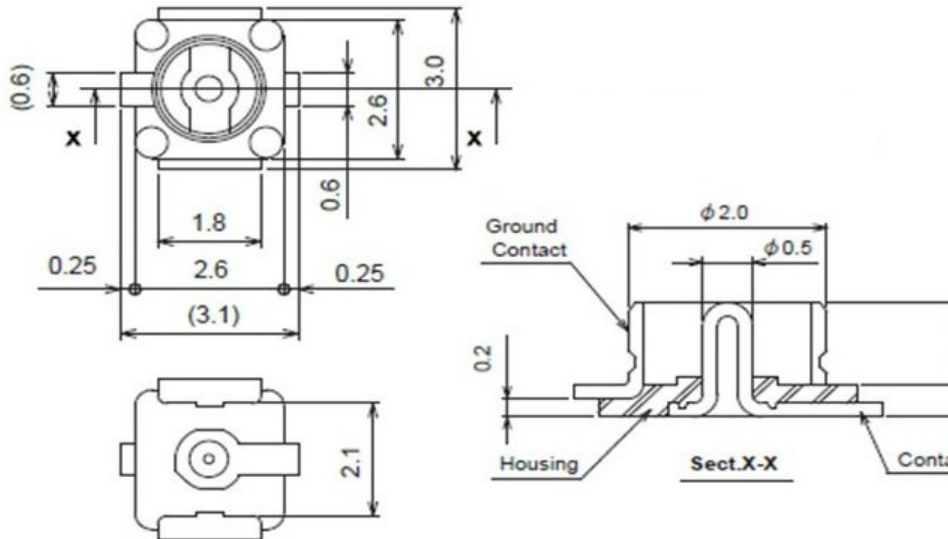


Figure 14. Specification of Antenna Seat

The specification of the IPEX wire end is as follows:

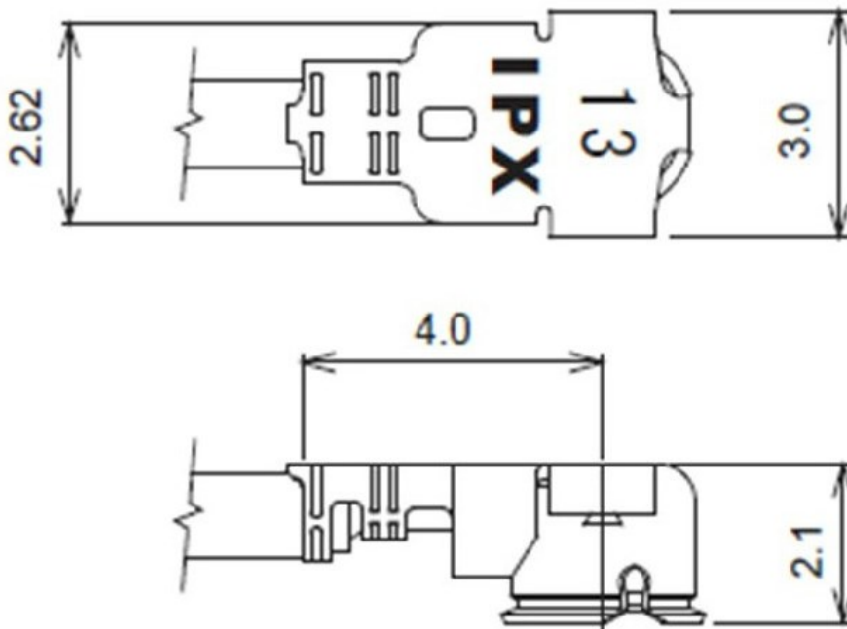


Figure 15. Specification of IPEX Wire

### 5.6 Basic Operation of Hardware Design

1. It is recommended to offer the module a DC stabilized power supply, a tiny power supply ripple coefficient, and reliable ground. Please pay attention to the correct connection between the positive and negative poles of the power

supply. Otherwise, the reverse connection may cause permanent damage to the module.

2. Please ensure the supply voltage is between the recommended values. The module will be permanently damaged if the voltage exceeds the maximum value. Please ensure a stable power supply and no frequently fluctuating voltage.
3. When designing the power supply circuit for the module, it is recommended to reserve more than 30% of the margin, which is beneficial to the long-term stable operation of the whole machine. The module should be far away from the power electromagnetic, transformer, high-frequency wiring, and other parts with large electromagnetic interference.
4. The bottom of the module should avoid high-frequency digital routing, high-frequency analog routing, and power routing. If it has to route the wire on the bottom of the module, for example, it is assumed that the module is soldered to the Top Layer, the copper must be spread on the connection part of the top layer and the module, and be close to the digital part of the module and routed in the Bottom Layer (all copper is well-grounded).
5. Assuming that the module is soldered or placed in the Top Layer, it is also wrong to randomly route the Bottom Layer or other layers, which will affect the spurs and receiving sensitivity of the module to some degree.
6. Assuming that there are devices with large electromagnetic interference around the module, which will greatly affect the module performance. It is recommended to stay away from the module according to the strength of the interference. If circumstances permit, appropriate isolation and shielding can be done.
7. Assuming that there are routings of large electromagnetic interference around the module (high-frequency digital, high-frequency analog, power routings), which will also greatly affect the module performance. It is recommended to stay away from the module according to the strength of the interference. If circumstances permit, appropriate isolation and shielding can be done.
8. It is recommended to stay away from the devices whose TTL protocol is the same 2.4 GHz physical layer, for example, USB 3.0.

## 5.7 Trouble Shooting

### 5.7.1 Unsatisfactory Transmission Distance

1. When there is a linear communication obstacle, the communication distance will be correspondingly weakened. Temperature, humidity, and co-channel interference will lead to an increase in the communication packet loss rate. The performances of ground absorption and reflection of radio waves will be poor when the module is tested close to the ground.
2. Seawater has a strong ability to absorb radio waves, so the test results by the seaside are poor.
3. The signal attenuation will be very obvious if there is metal near the antenna or if the module is placed inside the metal shell.
4. The incorrect power register set or the high data rate in the open air may shorten the communication distance. The higher the data rate, the closer the distance.

5. The low voltage of the power supply is lower than the recommended value at ambient temperature, and the lower the voltage, the smaller the power is.
6. The unmatchable antennas and modules or the poor quality of antenna will affect the communication distance.

### 5.7.2 Vulnerable Module

1. Please ensure the supply voltage is between the recommended values. The module will be permanently damaged if the voltage exceeds the maximum value. Please ensure a stable power supply and no frequently fluctuating voltage.
2. Please ensure the anti-static installation and the electrostatic sensitivity of high-frequency devices.
3. Due to some humidity-sensitive components, please ensure the suitable humidity during installation and application. If there is no special demand, it is not recommended to use at too high or too low temperature.

### 5.7.3 High Bit Error Rate

1. There are co-channel signal interferences nearby. It is recommended to be away from the interference sources or modify the frequency and channel to avoid interferences.
2. The unsatisfactory power supply may also cause garbled. It is necessary to ensure the power supply's reliability.
3. If the extension wire or feeder wire is of poor quality or too long, the bit error rate will be high.

### 5.8 Electrostatics Discharge Warnings

The module will be damaged by the discharge of static. RF-star suggests that all modules should follow the 3 precautions below:

1. According to the anti-static measures, bare hands are not allowed to touch modules.
2. Modules must be placed in anti-static areas.
3. Take the anti-static circuitry (when inputting HV or VHF) into consideration in product design.  
Static may result in the degradation in performance of the module, even causing failure.

### 5.9 Soldering and Reflow Condition

1. Heating method: Conventional Convection or IR/convection.
2. Solder paste composition: Sn96.5/Ag3.0/Cu0.5
3. Allowable reflow soldering times: 2 times based on the following reflow soldering profile.
4. Temperature profile: Reflow soldering shall be done according to the following temperature profile.
5. Peak temperature: 245 °C.

Table 7. Temperature Table of Soldering and Reflow

Profile Feature	Sn-Pb Assembly	Pb-Free Assembly
-----------------	----------------	------------------

<b>Solder Paste</b>	Sn63 / Pb37	Sn96.5 / Ag3.0 / Cu0.5
<b>Min. Preheating Temperature (<math>T_{min}</math>)</b>	100 °C	150 °C
<b>Max. Preheating Temperature (<math>T_{max}</math>)</b>	150 °C	200 °C
<b>Preheating Time (<math>T_{min}</math> to <math>T_{max}</math>) (<math>t_1</math>)</b>	60 s ~ 120 s	60 s ~ 120 s
<b>Average Ascend Rate (<math>T_{max}</math> to <math>T_p</math>)</b>	Max. 3 °C/s	Max. 3 °C/s
<b>Liquid Temperature (<math>T_L</math>)</b>	183 °C	217 °C
<b>Time above Liquidus (<math>t_L</math>)</b>	60 s ~ 90 s	30 s ~ 90 s
<b>Peak Temperature (<math>T_p</math>)</b>	220 °C ~ 235 °C	230 °C ~ 250 °C
<b>Average Descend Rate (<math>T_p</math> to <math>T_{max}</math>)</b>	Max. 6 °C/s	Max. 6 °C/s
<b>Time from 25 °C to Peak Temperature (<math>t_2</math>)</b>	Max. 6 minutes	Max. 8 minutes
<b>Time of Soldering Zone (<math>t_p</math>)</b>	20±10 s	20±10 s

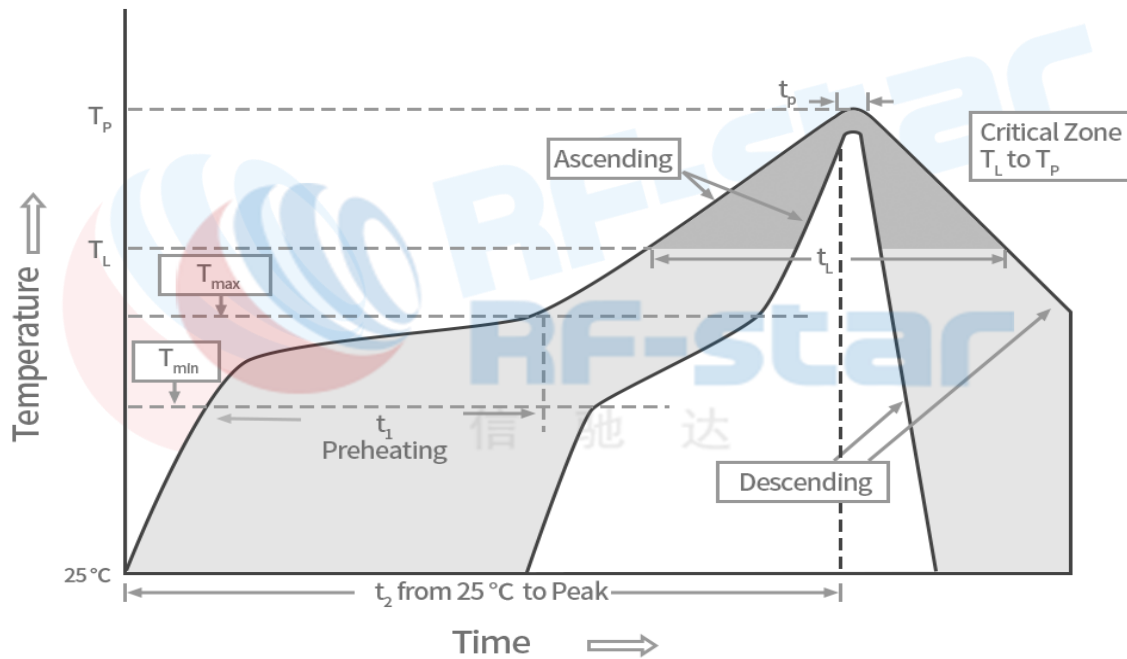


Figure 16. Recommended Reflow for Lead-Free Solder

## 6 Optional Package Specification

The default package method is **by tray**. If you need the modules to be shipped by tape & reel, pls contact us in advance.

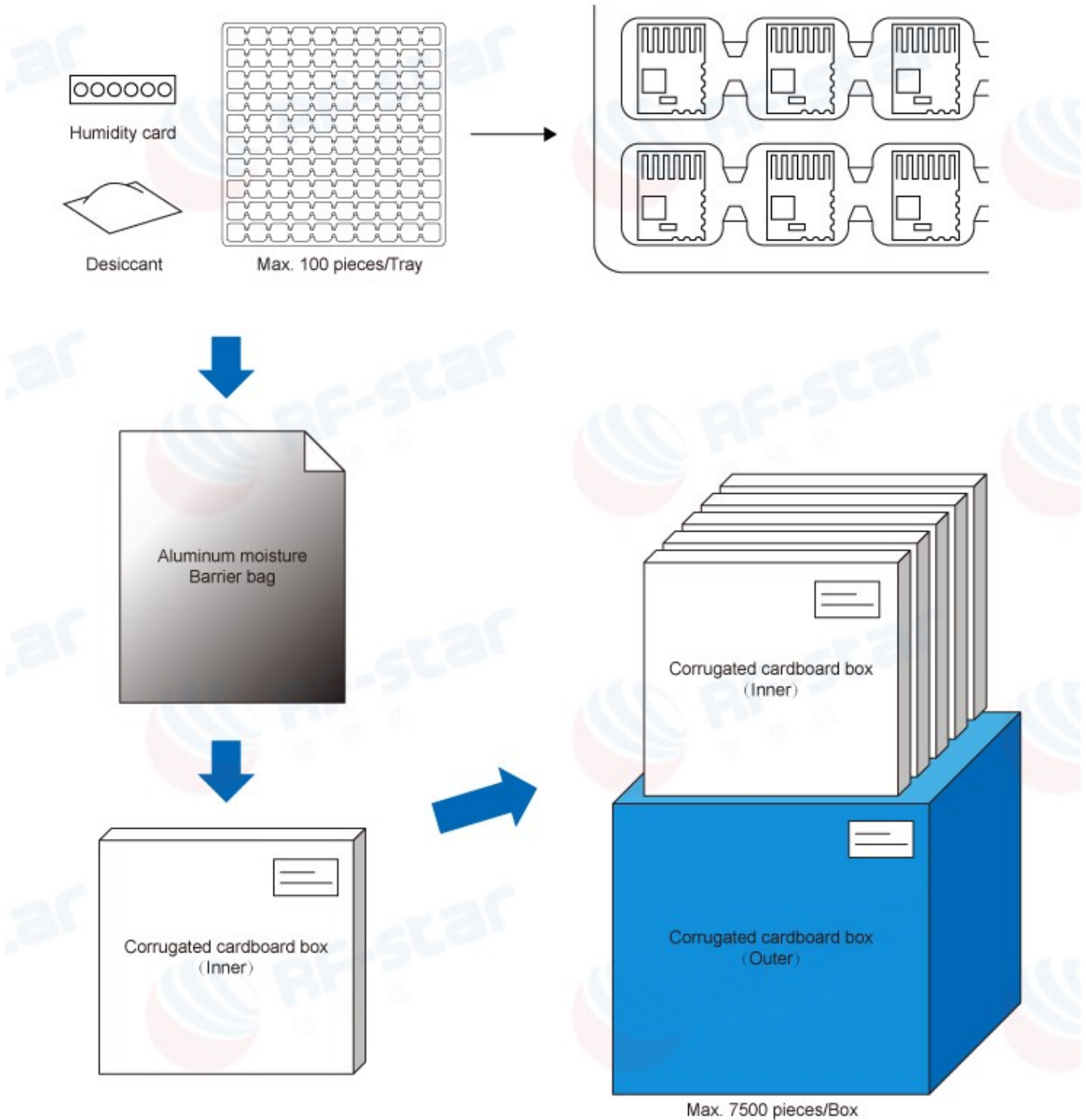


Figure 17. Default Package by Tray

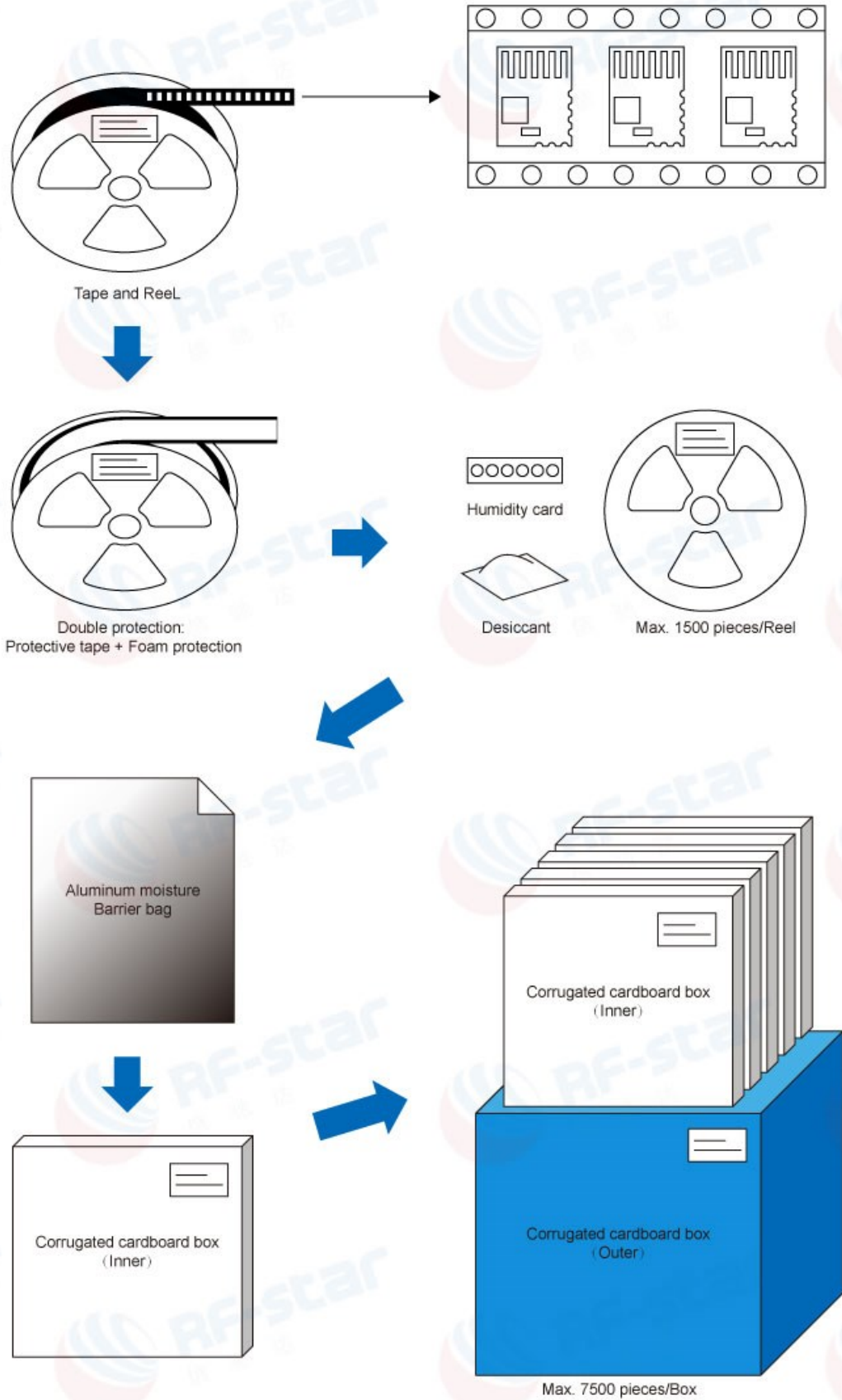


Figure 18. Package by Tape & Reel



## 7 Certification

### 7.1 FCC

This device complies with part 15 of the FCC Rules. Operation is subject to the following two conditions: (1) This device may not cause harmful interference, and (2) this device must accept any interference received, including interference that may cause undesired operation.

FCC ID: 2ABN2-BG22A1

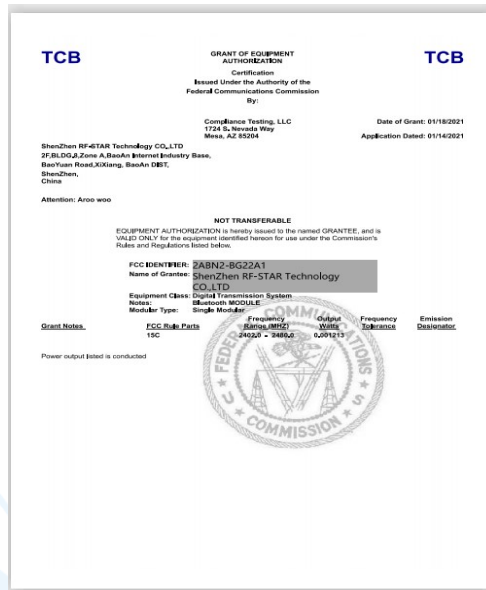


Figure 19. FCC Certificate of RF-BM-BG22A1

### 7.2 CE



Figure 20. CE Certificate of RF-BM-BG22A1

7.3 SRRC

SRRC CMIIT ID: 2021DP8455



Figure 21. SRRC Certificate of RF-BM-BG22A1

7.4 RoHS



Figure 22. RoHS Certificate of RF-BM-BG22A1

## 8 Revision History

Date	Version No.	Description
2020.09.10	V1.0	The initial version is released.
2021.01.21	V1.1	Update the unit of Flash.
2022.05.12	V1.2	Modify the power supply. Add the antenna specifications. Add the RF-BM-BG22A1I specifications.
2022.08.12	V1.3	Add the setting of frequency offset register. Add the max. power supply of the RESET pin.
2023.05.26	V1.3	Update MSL level. Update the Shenzhen office address.

Note:

1. The document will be optimized and updated from time to time. Before using this document, please make sure it is the latest version.
2. To obtain the latest document, please download it from the official website: [www.rfstariot.com](http://www.rfstariot.com) and [www.szrfstar.com](http://www.szrfstar.com).

## 8 Contact Us

### **SHENZHEN RF-STAR TECHNOLOGY CO., LTD.**

#### **Shenzhen HQ:**

Add.: Room 502, Podium Building No. 12, Shenzhen Bay Science and Technology Ecological Park, Nanshan District, Shenzhen, Guangdong, China, 518063

Tel.: 86-755-8632 9829

#### **Chengdu Branch:**

Add.: N2-1604, Global Center, North No. 1700, Tianfu Avenue, Hi-Tech District, Chengdu, Sichuan, China, 610095

Tel.: 86-28-8692 5399

Email: [sunny@szrfstar.com](mailto:sunny@szrfstar.com), [sales@szrfstar.com](mailto:sales@szrfstar.com)

Web.: [www.rfstariot.com](http://www.rfstariot.com), [www.szrfstar.com](http://www.szrfstar.com)

